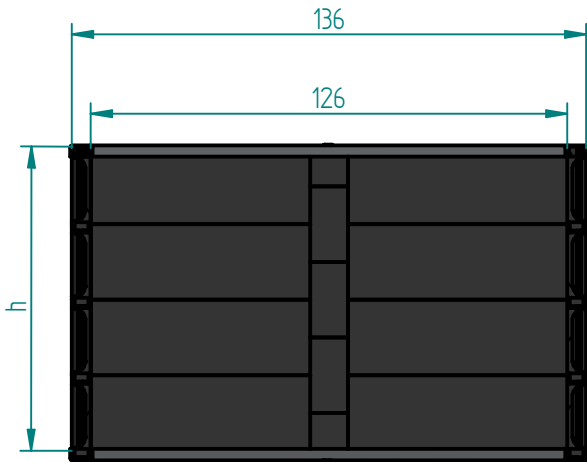




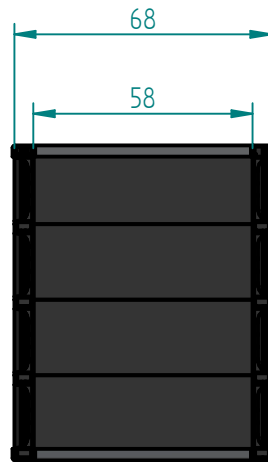
HIDROSTANK



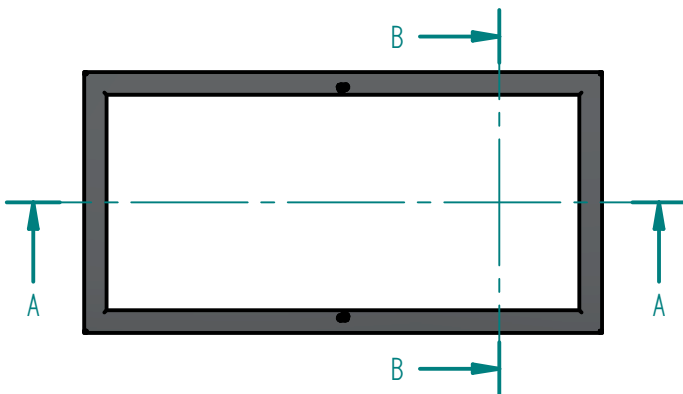
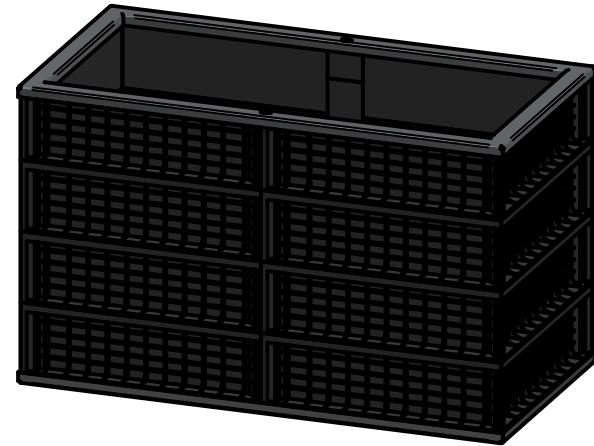
ACCESS CHAMBER: 126 x 058 x h



CORTE A-A



CORTE B-B



POSSIBLES REFERENCES 126 x 058 x h



U 10



U 20



58x20

POSSIBILITIES

- Height: 60/80/100/120 cm...
- Bottom (With or without).
- Cast iron /composite cover.
- Integrated galvanized frame that enable to allocate the corresponding cover
- Without need to use concrete.
- Easy Inlets making.

DESCRIPTION

HIDROSTANK modular access chamber for electrical & telecom ducting, with internal dimensions 126x058xh, made of reinforced polypropylene with mineral charges. Environmentally friendly solution made of recycled & recyclable material.

TECHNICAL CHARACTERISTICS

- ✓ Valid for D400 areas according to EN14802
- ✓ High resistance to acids/basics
- ✓ Working temperature range from -40 to 70 C

LINKS

- 📁 Video
- 📁 Installation recommendations
- 📁 Dwg

SPECIFICATIONS

Supply and installation of the HIDROSTANK Access chamber with dimensions: (126x058xh) including hole digging with the dimensions for the correct installation of the maintenance hole, insertion of the pipes into the maintenance hole and backfilling of the surrounding area. All the operations must be supported by all the materials and elements necessary for the correct execution of the task according to the drawings and the specifications.